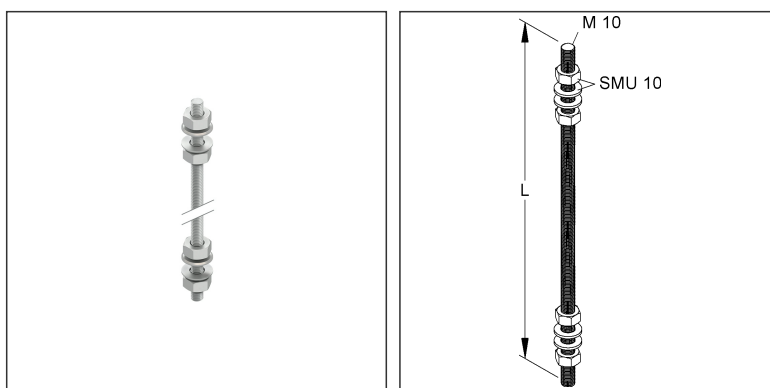


Threaded Rod, M10

M 10/1000 E3

EAN Code: 4013339769902
 Smallest packaging unit: 25 pcs.

the photorealistic images are to be considered as reference images



Article Description

Threaded rod M10, length 1000 mm, stainless steel, material code: 1.4301, AISI 304, incl. accessories

Incl. accessories

1 piece = 1 piece		- lowest delivery unit	- preferred delivery unit
Model No.	Description		quantity
1-SMU 10 E3	Hexagon nut M10 acc. to DIN EN ISO 4032, stainless steel, material code: 1.4301, AISI 304		4 pcs.
25 piece = 1 bundle		✓ lowest delivery unit	✓ preferred delivery unit
Model No.	Description		quantity
SMU 10 E3	Hexagon nut M10 acc. to DIN EN ISO 4032, stainless steel, material code: 1.4301, AISI 304		100 pcs.
1000 piece = 1 rack		- lowest delivery unit	- preferred delivery unit
Model No.	Description		quantity
SMU 10 E3	Hexagon nut M10 acc. to DIN EN ISO 4032, stainless steel, material code: 1.4301, AISI 304		4.000 pcs.

Technical Datasheet

Supporting structure

M 10/1000 E3

the photorealistic images are to be considered as reference images

Additional Price Information

Article group	N13
quantity unit	pcs.

Weight

Weight per quantity unit	565 g / pcs.
Weight in kg per 100	56 kg / 100pcs.

Physical Article Dimensions

Height	10.00 mm
Width	10.00 mm
Depth/length	1000 mm
Diameter	10.00 mm

Packing Dimension

25 pieces = 1 bundle		✓ VP1-smallest packaging unit (PU)		✓ VP1-preferred PU	
Lenght	1000 mm	Width	60.00 mm	Height	60.00 mm
Gross weight	14 kg	Volume	0,004 m ³		
Min. quantity	25.00 pcs.	Max. Quantity	25.00 pcs.		
1000 pieces = 1 rack					
Lenght	1024 mm	Width	850 mm	Height	770 mm
Gross weight	623 kg	Volume	0,670 m ³		
Min. Quantity	1.000.00 pcs.	Max. Quantity	1.000.00 pcs.		

Tender Text

Threaded rod M 10, including four hexagon nuts and washers made of stainless steel.
 Dimensions (approx. dimensions)
 Thread : M 10
 Length L : 1000 mm
 Strength class : 70
 Material : stainless steel, material No. 1.4301, AISI 304
 NIEDAX Model No. : M 10/1000 E3
 EP Material _____ EP Wage _____
 Unit price/piece

Safety & Environment

REACH Date	04.02.2026
REACH Info	Conformable
RoHS Info	Conformable

Technical Datasheet

Supporting structure

M 10/1000 E3

the photorealistic images are to be considered as reference images

Origin & International Trade

Country of origin	
Customs tariff number	73181548