

Wire Mesh Tray

U-shaped, spot-welded from steel wires, with welded connector

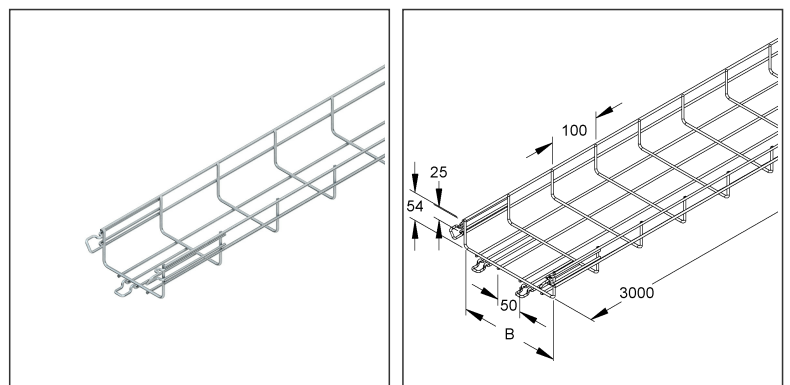
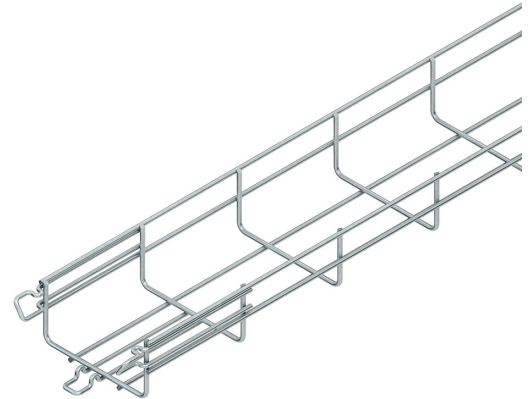
MTC 54.100 E3 NX **CITO**Line

EAN Code: 4013339713080

Smallest packaging unit: 3 m

quantity unit: m M

the photorealistic images are to be considered as reference images



Article Description

Wire mesh tray, U-shaped, w. welded connector, 54x100x3000 mm, CITO, stainless steel, material code: 1.4301, AISI 304, pickled

Additional Price Information

Article group	N13
quantity unit	m

Weight

Weight per quantity unit	772 g/ m
Weight in kg per 100	77 kg/ 100m

Technical Datasheet

Wire Mesh Tray System

MTC 54.100 E3 **nx**CITOLine

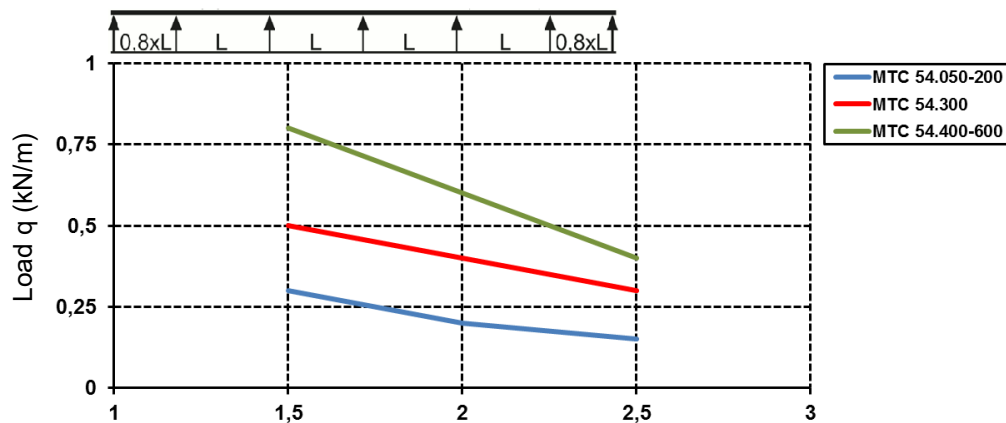
the photorealistic images are to be considered as reference images

Physical Article Dimensions

Height	58.90 mm
Width	115.60 mm
Depth/length	3026 mm

Load Specifications

Load diagram: q = evenly distributed cable load (tested acc. to DIN IEC 61537)



Mounting distance (m)

The load details shown in the diagram are independent of the position of the connectors.

Packing Dimension

3 meters = 1 piece		✓ VP1-smallest packaging unit (PU)			
Lenght	3027 mm	Width	116.00 mm	Height	59.00 mm
Gross weight	2,32 kg	Volume	0,021 m ³		
Min. quantity	3.00 m	Max. Quantity	3.00 m		

6 meters = 1 bundle					
Lenght	3027 mm	Width	121.00 mm	Height	64.00 mm
Gross weight	4,63 kg	Volume	0,023 m ³		
Min. Quantity	6.00 m	Max. Quantity	6.00 m		

630 meters = 1 rack					
Lenght	3027 mm	Width	1162 mm	Height	1120 mm
Gross weight	584 kg	Volume	3,939 m ³		
Min. Quantity	630.00 m	Max. Quantity	630.00 m		

Tender Text

Wire mesh tray according to DIN EN 61537, U-shaped, made of steel wires, spot-welded, for quick fixing with welded splice plates in the sides and bottom.

VDE certified!

Dimensions (approx. dimensions)

Nominal dimension Height H (inside) x width W (inside) : 54 x 100 mm

Longitudinal wire \varnothing : 3.9 mm

Technical Datasheet

Wire Mesh Tray System

MTC 54.100 E3 **NXCITO**Line

the photorealistic images are to be considered as reference images

Tender Text

Bottom longitudinal wire spacing : 50 mm
 Cross wire Ø : 3.9 mm
 Cross wire spacing : 100 mm
 Delivery length L : 3000 mm
 Usable cross-section : 5110 mm²
 Material : Stainless steel, material no. 1.4301, AISI 304
 NIEDAX Model no. : MTC 54.100 E3
 EP Material _____ EP Wage _____
 Unit price/metre

Safety & Environment

REACH Date	04.02.2026
REACH Info	Conformable
RoHS Info	Conformable

Origin & International Trade

Country of origin	FR
Customs tariff number	73089098

Related items

Cover

Model No.	Description
GRDHL 30 E3	Cover retaining lug for cover wire mesh tray, stainless steel, material code: 1.4301, AISI 304
GTD 100 E3	Cover for wire mesh tray, 100x3000 mm, stainless steel 1.4301, 1.4303
MTCC 100/7.5° E3	Cover for MTC wire mesh tray, 111,2x3000 mm, 7,5° tilt angle, stainless steel, material code: 1.4301, AISI 304

Barrier strip

Model No.	Description
GRTB 6 E3	Barrier strip fastening clamp, stainless steel, material code: 1.4301, AISI 304
GRVC 14 E3	Barrier strip fastening clamp, stainless steel, material code: 1.4301, AISI 304, incl. accessories
RW 50 E3	Barrier strip, 47x3000 mm, t=0,8 mm, stainless steel, material code: 1.4301, AISI 304, incl. accessories
RW 60 E3	Barrier strip, 55x3000 mm, t=0,8 mm, stainless steel, material code: 1.4301, AISI 304, incl. accessories